



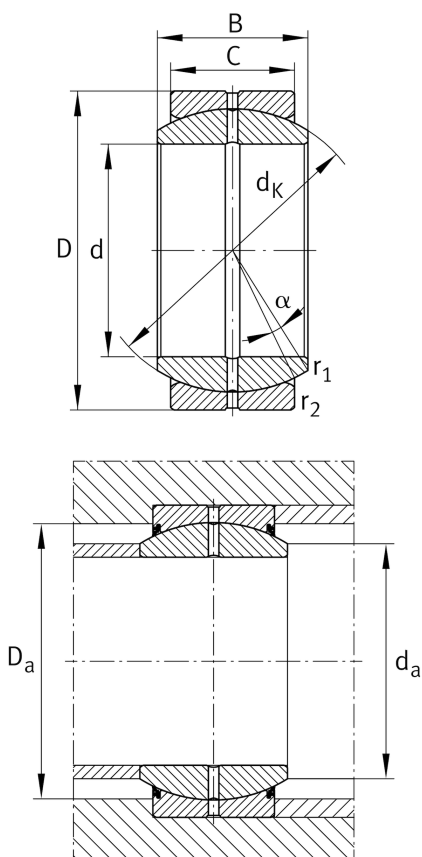
GE35-DO

Spherical plain bearing

Schaeffler ID:
0066481180000

Radial spherical plain bearing, requiring maintenance, sliding contact surface: steel/steel, DIN ISO 12240-1, dimension series E, open design

Technical information



Main Dimensions & Performance Data

d	35 mm	Bore diameter bearing
D	55 mm	Outside diameter bearing
B	25 mm	Width Inner ring
C _r	79,900 N	Basic dynamic load rating, radial
C _{0r}	400,000 N	Basic static load rating, radial
	0.221 kg	Weight

Dimensions

C	20 mm	Width Outer ring
d _K	47 mm	Ball diameter
α	6 °	Tilt angle
r _{1smin}	0.6 mm	Edge Spacing
r _{2smin}	1 mm	Edge Spacing
d _{OT}	0 mm	Bore diameter bearing, upper tolerance
d _{UT}	-0.012 mm	Bore diameter bearing, lower tolerance
D _{OT}	0 mm	Outside diameter, upper tolerance
D _{UT}	-0.013 mm	Outside diameter, lower tolerance
B _{OT}	0 mm	Width inner ring, upper tolerance
G _r	0,05 - 0,1 mm	Radial Clearance
B _{UT}	-0.12 mm	Width inner ring, lower tolerance
C _{OT}	0 mm	Width outer ring, upper tolerance

Mounting dimensions

d _{a max}	39.7 mm	Connection measure Inner ring
D _{a min}	44.5 mm	Housing Connection Diameter

Temperature range

T _{min}	-60 °C	Operating temperature min.
T _{max}	200 °C	Operating temperature max.